

Wedge Jack TITAN from

ISCHEBECK[®]

TITAN



- exact adjustment in height
- estimated settlement
- no influence through water
- cheaper than hydraulic equipment
- easy and safe to handle

Wedge Jack TITAN

ISCHEBECK®

TITAN

The wedge jack is used for supporting heavy shoring of concrete slabs and structures. The wedge jack stands on H-beams, pile caps, brackets etc.

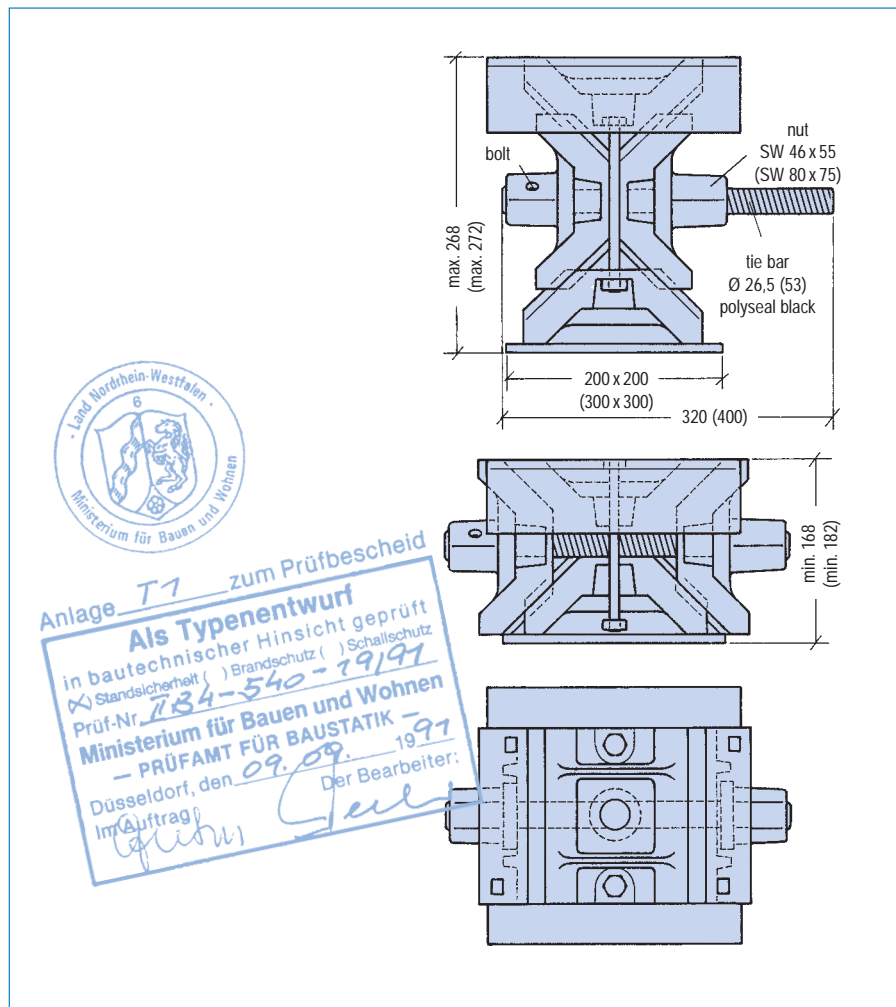
The wedge jack transfers vertical loads and minor horizontal loads.

Wedge jacks are available with safe working loads of 420 kN and 1000 kN. Under these safe working loads wedge jacks can be stripped by hand e.g. with a ring spanner and a 2 kg hammer. A load of up to 40 kN can be lifted and aligned.

The wedge jack is an improvement of the traditional sand pots. In comparison with sand pots the wedge jack has the following advantages:

- exact adjustment in height
- calculable settling
- no influence through humidity when blowing out the sand

The wedge jacks allows a loading excentricity < 20 mm which is much more than usual screws jacks allow (≤ 5 mm). Wedge jacks are more robust and cheaper than hydraulic jacks. Wedge jacks can be handled by one person.



dimensions in () = 1000 kN wedge jack

technical data:

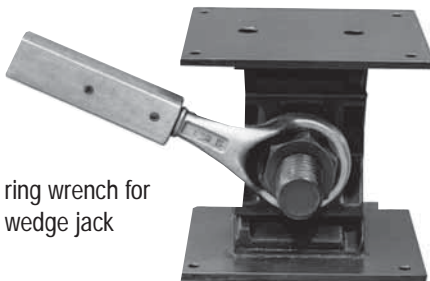
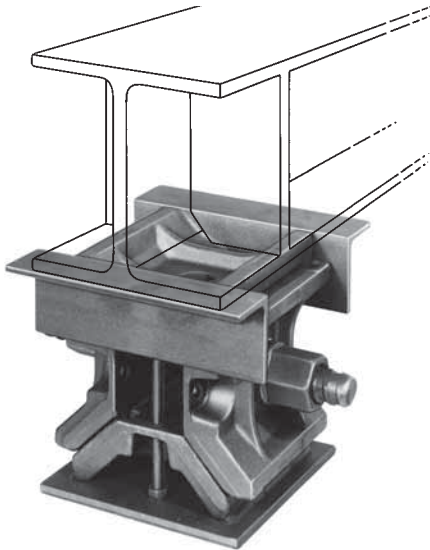
wedge jack	500	1000
adjustment mm	168 – 268	182 – 272
perm. load to DIN 4421 paragraph 6.5.1	approval II B4-540-19/91 SWL = 420 kN includes an load excentricity $e < 20$ mm or with an additional horizontal load $\leq 0,069 \times$ vertical load	test report MPA - NRW 110818896 SWL = 1000 kN
settlement	1 mm / 100 kN	1 mm / 100 kN
base	200 / 200 mm	300 / 300 mm
weight	29,5 kg	53,3 kg

safety advice: do not grease the surface of the wedges !!

Wedge Jack TITAN

ISCHEBECK®

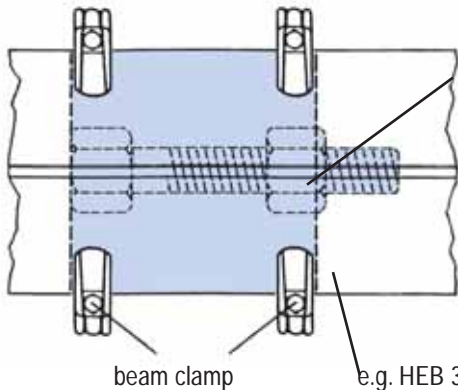
TITAN



ring wrench for wedge jack



perm. load is for both setting out positions



The tie bar has to be in the direction of the beam axis

Wedge Jack TITAN

ISCHEBECK[®]

TITAN



ISCHEBECK TITAN



Ischebeck Titan Group

Founded in Germany over 120 years ago Ischebeck is renowned internationally for its aluminium formwork and false work systems, trench support systems and ground engineering products.

Ischebeck Titan Ltd

The company operates from headquarters centrally located in the heart of the UK.



Product Availability

Substantial stocks of equipment are available ex-stock from the company's strategically located 4-acre distribution site, with most main product lines available nationwide on a 48-hour delivery. Products are available for both hire and outright purchase.

Technical Support

We will participate in concept stage development. Providing input on applications, production rates, budget design, programming and costings. Active for on site support and training. We can provide guidance on industry special European and national standards.



HEAD OFFICE

John Dean House
Wellington Road
Burton upon Trent
Staffordshire DE14 2TG
Tel: 01283 515677 Fax: 01283 516126
www.ischebeck-titan.co.uk
E-mail: sales@ischebeck-titan.co.uk

NORTHERN REGIONAL OFFICE & DESIGN OFFICE

Hollinwood Business Centre
Albert Mills Albert Street
Hollinwood Oldham OL8 3QP
Tel: 0161 682 4732 Fax: 0161 684 3603
E-mail: technical@ischebeck-titan.co.uk

Since our policy is one of continuous improvement we reserve the right to change without prior notice the specifications and methods of construction mentioned in this document. No responsibility whatsoever can be accepted for any errors or omissions in, or misinterpretation of the contents. Products must be used in conformity with safe practices and applicable codes and regulations. Photos and details shown are for general guidance only and may vary according to circumstances. For specific information refer to Ischebeck Titan Limited. Copyright reserved.