

NOEtop Panel System **from**

ISCHEBECK®

**TITAN**

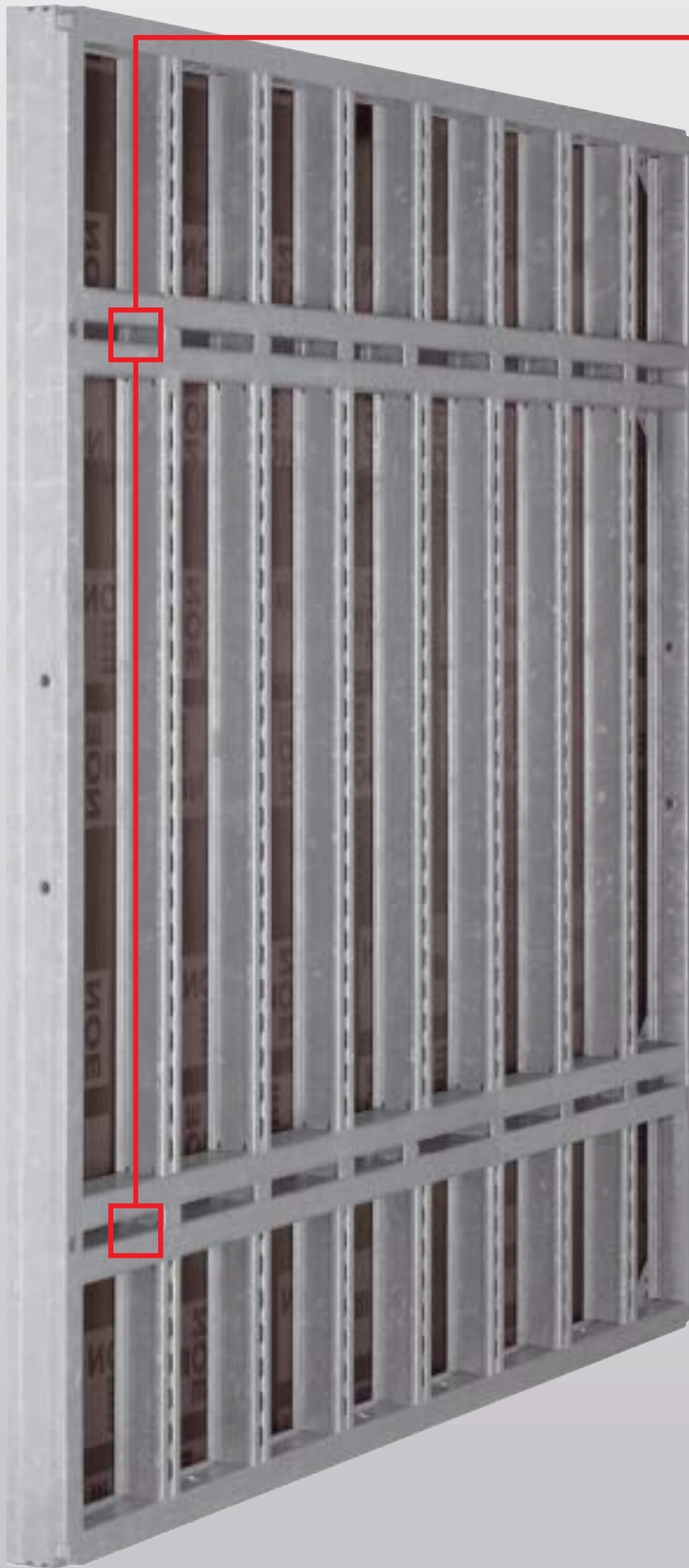


- Sustains concrete pressures up to  $88\text{kN/m}^2$
- Cast iron corner blocks protect all panel sizes
- Up to 14 square metres of joint-free ply
- Integrated strongback for economic tie layout

# NOEtop – simply more than a panel system

ISCHEBECK®

**TITAN**



## Versatile

Because of its integrated strong backs the NOEtop transforms itself at random from a modular large panel system into a large aera gangform.

## Multiple choice of tie positions

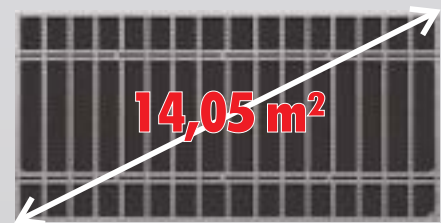
Free choice of symmetrical predrilled or free selection of tie positions.

## Optimal size module

Symmetrical grid of panel arrangement due to the optimal module of panel sizes ( $\frac{1}{4}$ ,  $\frac{1}{2}$ ,  $\frac{1}{1}$ ,  $\frac{5}{4}$ ,  $\frac{2}{1}$ ) allowing a regular combination of panels either vertically or horizontally arranged.

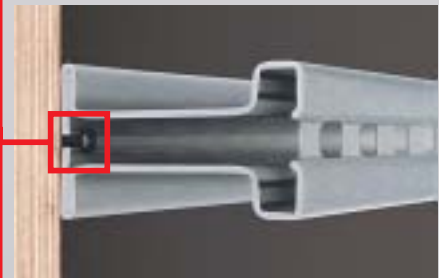
## XXL

Economic forming with the largest panel available on the market = unique 14,05 m<sup>2</sup> large area panel (5.30 x 2.65 m or 2.65 x 5.30 m as you wish).



## No marks

Jointless and rivet free plywood facing fastened from the rear.



## Standardised

Handy cross stiffeners provided with grooves and multiholes offering numerous options for the fixing of any accessories and safety equipment.



# NOEtop – large panel formwork with integrated strong backs

ISCHEBECK®

**TITAN**



## Sturdy

All panels provided with cast iron corner blocks and standardised profile thickness.

## Long life

Frames and profiles are hot deep galvanised both inside and outside.

## Strong

Permissible concrete pressure 88 kN/m<sup>2</sup>.

## Compatible

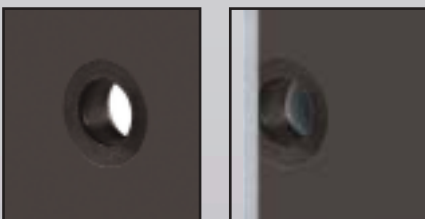
With NOE Top 2000 formwork systems and with any types of large area gangform.

## Easy maneuverable

Cast iron corners provided with lever groove.



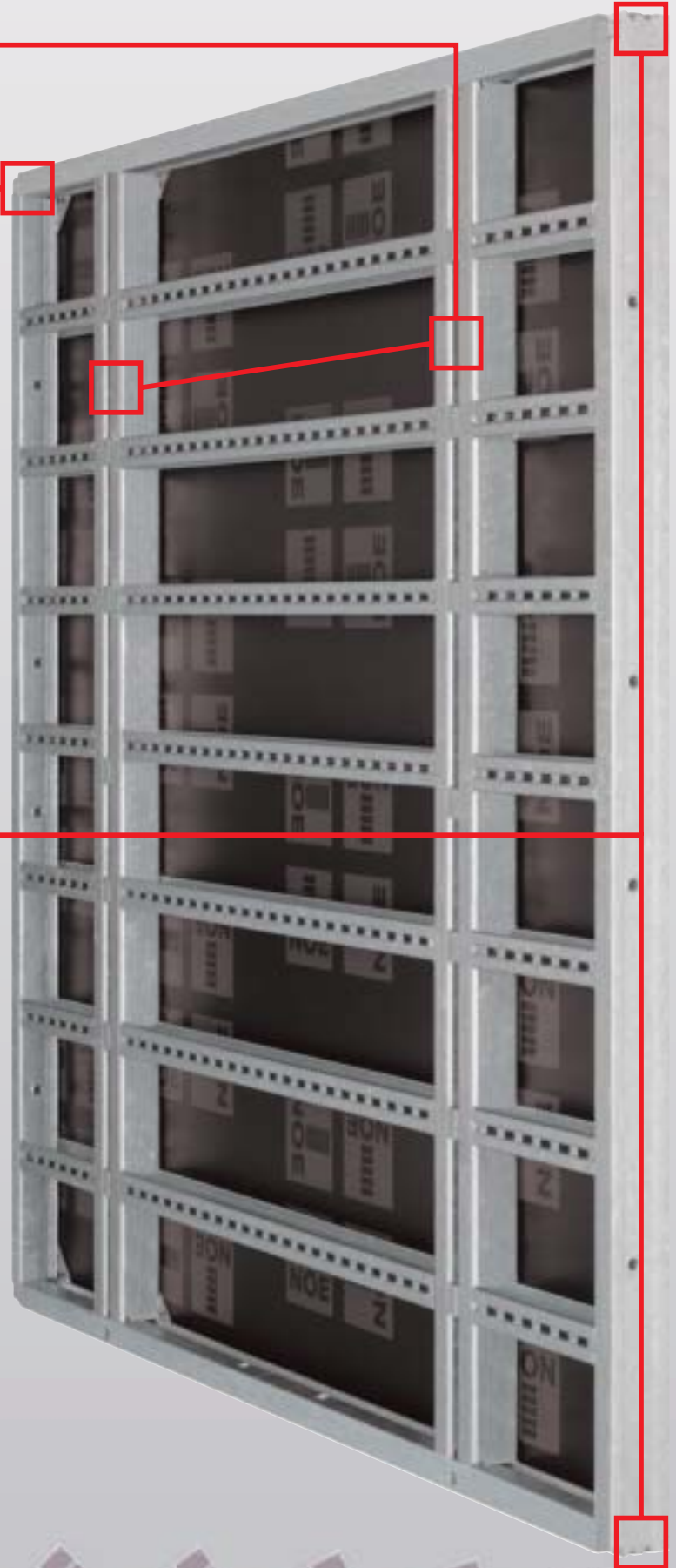
## Tie holes provided with PVC bushes



## Large panels with integrated strong backs

### Widths/heights:

5300; 3310; 2650; 1325 mm





# NOEtop – simple solutions for multiple formwork tasks

ISCHEBECK®

**TITAN**

## Unique

One single clamp for

- standard connections
- timber infill up to 150 mm
- corners
- adjustable corners
- height extensions
- conventional work



## A unique all-rounder, e.g. for ...

standard connections;  
timber infill up to 150 mm

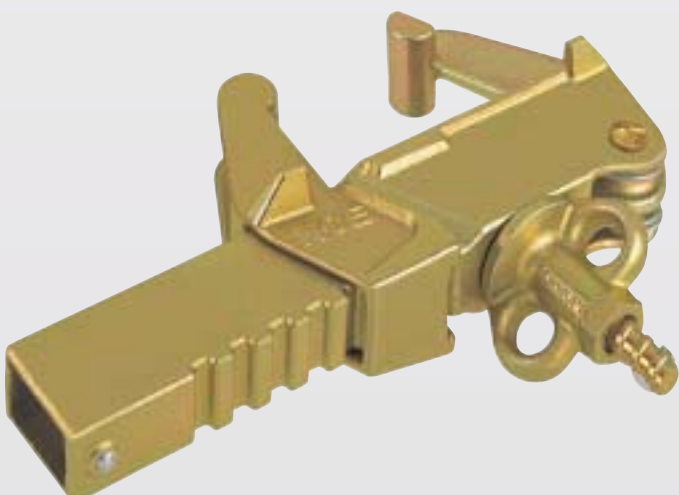
2650 mm

½ 1325 mm

¼ 660 mm



# NOEtop – a universal clamp

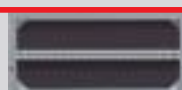


## A unique all-rounder for ...

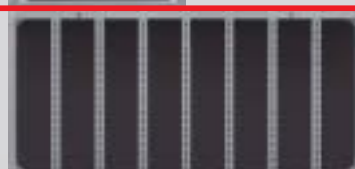
external and internal corners  
external angles with or without  
external corner angle

## A unique all-rounder for ...

timber extensions  
panel extensions



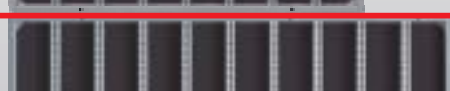
1 ¼ 3310 mm



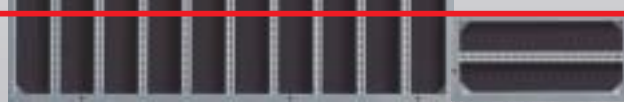
1 ½ 2650 mm

**Panel widths:**  
1325; 1000; 750; 500; 400; 250 mm

**Panel heights:**  
3310; 2650; 1325; 660 mm



½ 1325 mm



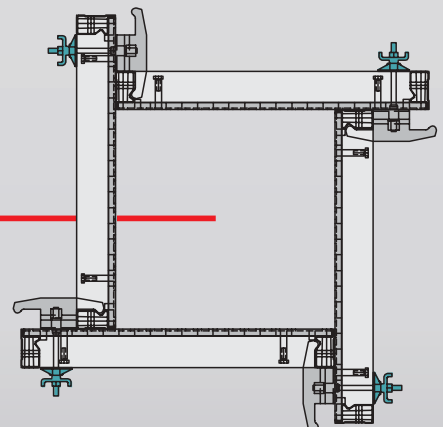
¼ 660 mm

## Versatile all-purpose claw

- for external corners
- for rectangular columns
- for tying over panel
- stop ends
- 



## Stop end channels



## Rectangular

External corner panels as economical column forms with dimensions from 150 x 150 mm to 700 x 700 mm in 25 mm increment.

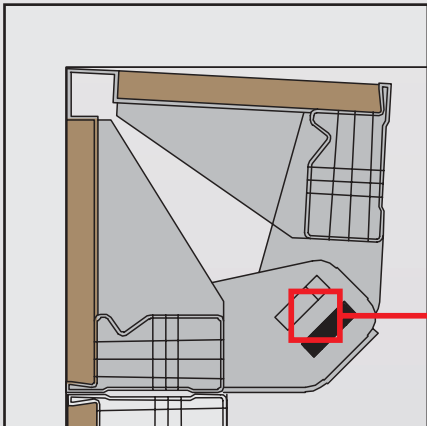




# NOEtop – unique solutions for corners

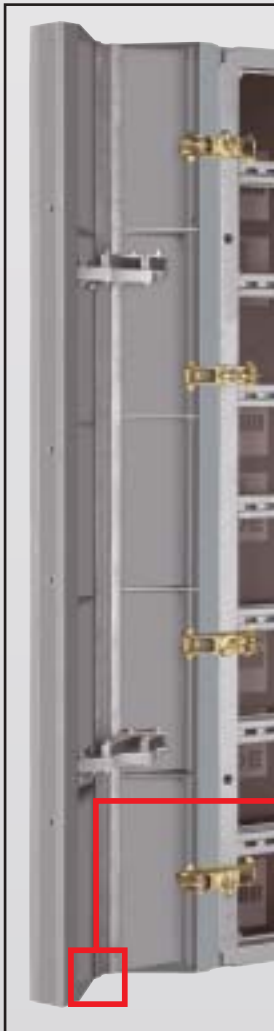
**ISCHEBECK**<sup>®</sup>

**TITAN**



## Easy stripping

90° internal corners provided with semi-collapsible flanges for easy stripping.



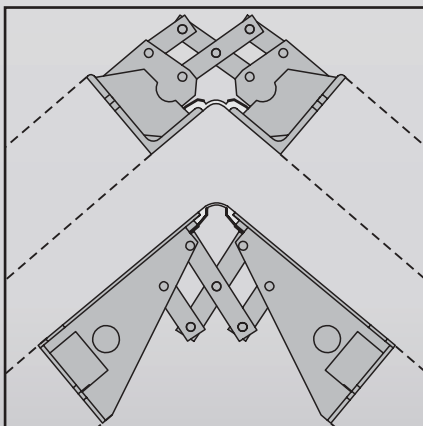
## Innovative

Smooth running, low maintenance adjusting mechanisms provided to the adjustable internal and external corners angle. (Patent pending)



## Replaceable

Instead of complicated hinges becoming clogged with concrete: exchangeable PU corner strips for interior and exterior corners. (Patent pending)



# NOEtop – a safe workplace

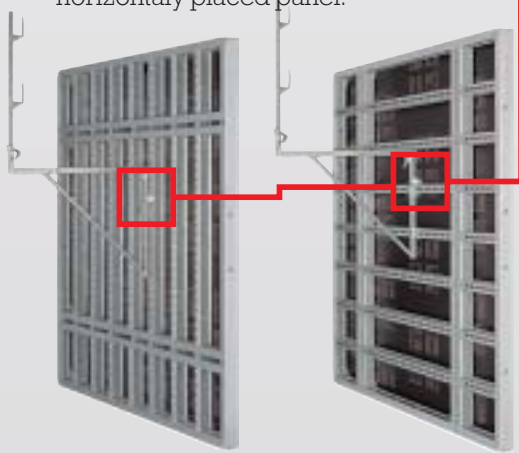
ISCHEBECK®

**TITAN**



## Safe workplace

Self-locking walkway brackets can be positioned on either vertically or horizontally placed panel.



## Time saving accessories

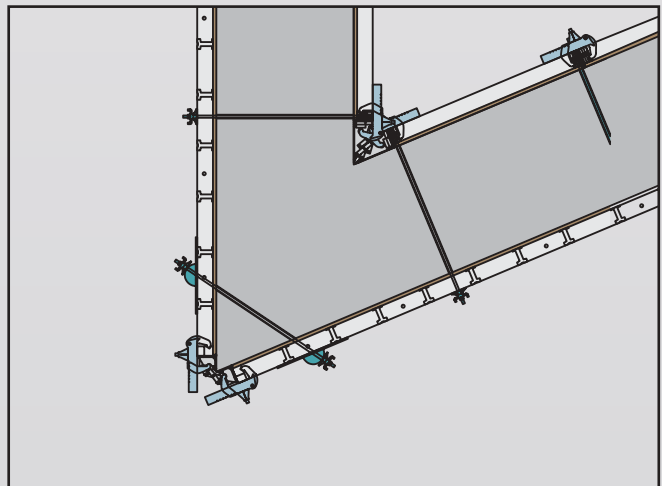
For example: hammerhead bolt with handle and integrated nut.

## Safe stabilisation

Easy and safe stabilising of the forms using the NOE push-pull galvanised stabilisers.







### **Any battered walls**

Without any restriction on angle of slope.

### **Easy angle**

Easy solutions to corner problems by complex concrete structures.

### **Simple single face**

Single-sided form without additional strong back up to 3.00 m.

# NOEtop – List of Parts



	Width mm	Height mm	Weight approx. kg	Form surface approx. m <sup>2</sup>	Part no.
<b>Large panels</b>					
Tie holes drilled and plugged, locations compatible with TOP 2000	5300	2650	932.45	14.05	<b>168049</b>
	3310	2650	589.34	8.77	<b>168033</b>
	2650	2650	478.63	7.02	<b>168029</b>
Tie holes drilled and plugged, locations inside panel	5300	2650	932.45	14.05	<b>168051</b>
	3310	2650	589.34	8.77	<b>168052</b>
	2650	2650	478.63	7.02	<b>168053</b>
<b>Panels</b>					
Panels galva, ply 21 mm multiholes omega stiffeners	1325	3310	252.90	4.39	<b>160065</b>
	1000	3310	204.90	3.31	<b>160067</b>
	750	3310	148.30	2.48	<b>160068</b>
	500	3310	112.20	1.66	<b>160071</b>
	400	3310	97.90	1.32	<b>160074</b>
	250	3310	76.40	0.83	<b>160075</b>
Panels galva, ply 21 mm multiholes omega stiffeners	1325	2650	205.20	3.51	<b>168019</b>
	1000	2650	166.20	2.65	<b>168209</b>
	750	2650	119.90	1.99	<b>168309</b>
	500	2650	90.60	1.33	<b>168409</b>
	400	2650	79.10	1.06	<b>168909</b>
	250	2650	61.50	0.66	<b>168509</b>
Panels galva, ply 21 mm multiholes omega stiffeners	1325	1325	98.60	1.76	<b>169009</b>
	1000	1325	79.00	1.33	<b>169209</b>
	750	1325	64.00	0.99	<b>169309</b>
	500	1325	49.00	0.66	<b>169409</b>
	400	1325	43.00	0.53	<b>169909</b>
	250	1325	31.50	0.33	<b>169509</b>
Panels galva, ply 21 mm multiholes omega stiffeners	1325	660	54.00	0.88	<b>163019</b>
	1000	660	43.30	0.66	<b>163209</b>
	750	660	35.20	0.50	<b>163309</b>
	500	660	27.00	0.33	<b>163409</b>
	400	600	23.70	0.26	<b>163909</b>
	250	660	18.40	0.17	<b>163509</b>
<b>Angle solutions</b>					
External corner panel	1000	3310	249.40	3.31	<b>160076</b>
	1000	2650	201.40	2.65	<b>167009</b>
	1000	1325	95.10	1.33	<b>167019</b>
	1000	660	49.90	0.66	<b>163009</b>
Internal corner 90°	250/250	3310	103.50	1.66	<b>160078</b>
	250/250	2650	86.00	1.33	<b>167209</b>
	250/250	1325	52.50	0.66	<b>167219</b>
	250/250	660	32.00	0.33	<b>167249</b>
External corner bars	110	3310	60.00		<b>130077</b>
	110	2650	47.50		<b>137109</b>
	110	1325	24.00		<b>137119</b>
	110	660	11.00		<b>137129</b>
Hinged corner internal	270	3310	140.00	1.79	<b>164016</b>
	270	2650	114.00	1.43	<b>164014</b>
	270	1325	63.30	0.72	<b>164012</b>
	270	660	33.60	0.36	<b>164010</b>

	Width mm	Height mm	Weight approx. kg	Form surface approx. m <sup>2</sup>	Part no.
Hinged corner external		3310	104.00	0.60	<b>164026</b>
		2650	79.70	0.48	<b>164024</b>
		1325	52.30	0.24	<b>164022</b>
		660	28.20	0.12	<b>164020</b>
<b>Compensation &amp; fillers</b>					
Filler tubes	50	3310	23.90	0.17	<b>130095</b>
	50	2650	18.00	0.13	<b>137309</b>
	50	1325	9.00	0.07	<b>137319</b>
	50	660	5.40	0.04	<b>137329</b>
Compensation steel sheets	300	3310	50.00	1.00	<b>130096</b>
	300	2650	42.00	0.80	<b>137549</b>
	300	1325	21.00	0.40	<b>137559</b>
	300	660	10.00	0.20	<b>137569</b>
Stripping panels		3310	111.00	0.83	<b>130097</b>
		2650	97.00	0.66	<b>137751</b>
		1325	49.00	0.33	<b>137752</b>
Alignment channel 1400 x 65	1400		20.40		<b>135210</b>
Stop-end clamp			10.00		<b>137830</b>
<b>Connecting accessories</b>					
Unilock			5.20		<b>137985</b>
Hammer-Head Bold with handle			1.09		<b>319330</b>
Multikralle			4.00		<b>164030</b>
Cross tying plate			2.50		<b>164040</b>
Tying channel 410 x 100	410		10.00		<b>135109</b>
Extension channel 1000 x 65	1000		15.00		<b>135209</b>
<b>Safety and shoring equipment</b>					
Self-locking walkway bracket		1000	17.10		<b>552203</b>
Stabilisers push pull					
	1500 – 3650 mm		25.00		<b>697021</b>
	3000 – 5000 mm		42.00		<b>697022</b>
	5950 – 8700 mm		108.00		<b>697017</b>
<b>Transport items</b>					
Crane hook			7.40		<b>135903</b>
Carrying pin with trap			0.66		<b>136808</b>
NOE box			87.00		<b>697598</b>
Steel stressing strip			0,40/m		<b>108029</b>
Plug for panel tie hole SFL 30	Ø 26		0,50/pack		<b>693409</b>
Plug for EC-panel tie hole ST 26	Ø 26		0,75/pack		<b>693600</b>

## HEAD OFFICE

John Dean House  
Wellington Road  
Burton upon Trent  
Staffordshire DE14 2TG  
Tel: 01283 515677 Fax: 01283 516126  
www.ischebeck-titan.co.uk  
E-mail: sales@ischebeck-titan.co.uk

## NORTHERN REGIONAL OFFICE & DESIGN OFFICE

Hollinwood Business Centre  
Albert Mills Albert Street  
Hollinwood Oldham OL8 3QP  
Tel: 0161 682 4732 Fax: 0161 684 3603  
E-mail: technical@ischebeck-titan.co.uk

Since our policy is one of continuous improvement we reserve the right to change without prior notice the specifications and methods of construction mentioned in this document. No responsibility whatsoever can be accepted for any errors or omissions in, or misinterpretation of the contents. Products must be used in conformity with safe practices and applicable codes and regulations. Photos and details shown are for general guidance only and may vary according to circumstances. For specific information refer to Ischebeck Titan Limited. Copyright reserved.