

ISCHEBECK[®]

TITAN

NOEtop panel system

Method statement

Method statement NOEtop panel system

Contents

	Page
Introduction	2
Disclaimer	2
Site safety	3
Your responsibilities	3
Safe working practice	4
Personal protective equipment	4
Brief description	5
Technical specifications	5
Components	6
Standard erection procedure	7
Checklist	10
Standard dismantling procedure	10

Introduction

Ischebeck Titan is renowned as one of the leading manufacturers and suppliers of equipment to the construction and civil engineering industries.

Our commitment to safety and site efficiency is evident in the design performance and quality of our products, which offer safe access and secure working platforms for an enormous variety of applications.

The enclosed method statement underlines our devotion to site safety by providing recommendations, based on tried and trusted methods, for the proper use and application of Ischebeck Titan NOEtop panel system.

Please take time to read and understand the information presented before using the products covered. If you need further advice or assistance consult a suitably qualified person within your own company or contact Ischebeck Titan.

Disclaimer

The methods presented in this document are solely for the use of Ischebeck Titan equipment and are intended for guidance only. When familiarity has been gained with the equipment preferred methods may be adopted, provided they do not contravene health and safety regulations or accepted safe working practices. The information is correct at time of publication, but Ischebeck Titan reserves the right to change, without prior notice, the specifications and methods mentioned. No responsibility whatsoever can be accepted for any errors or omissions in, or misrepresentation of, the contents. For specific information refer to Ischebeck Titan Limited.

Copyright reserved.

Site safety is your responsibility

The importance of site safety cannot be over emphasised. You have a responsibility to yourself, your colleagues, site visitors, family, friends and others to ensure you do not injure yourself or take actions which put the lives and health of other people at risk.

Site safety rules will form part of every site's health and safety plan. You should familiarise yourself with these rules and make sure that you and fellow workers do not contravene their requirements. A prominent notice will identify personnel with overall responsibility for site safety.

You will have contractual and legal obligation to follow these rules and adhere to relevant legislation, such as the Health and Safety at Work Act, which place specific responsibilities on you and your employer to prevent accidents.

Site safety is the responsibility of everyone on site. If you have a reason to believe that safety is being compromised, you should report it to the appropriate personnel.

Your responsibilities

Following are a few suggestions to help you work safely and contribute to safety on your site:

- Make sure you fully understand the safe and proper way to do any job.
- If in doubt, ask your supervisor – do not guess.
- Always conduct yourself in a responsible and safe manner.
- Do not expose others to danger through your actions.
- Always use the correct tools and equipment for the job.
- Always use the appropriate safety equipment and protective clothing.
- Report ALL defects in plant and equipment.
- Observe and comply with warning and hazard notices.
- Advise newcomers of safe working practices.
- Make sure you know where to go for first aid treatment.
- Report any injury and ensure it is entered in the accident book.
- Never indulge in horseplay or practical jokes at work.
- Never attempt to work whilst under the influence of alcohol or drugs.
- Make sure you have read and understood the sites health and safety requirements.
- Report any situation which might compromise site safety to the sites safety officer.

Safe working practice

- Consider health and safety first. If you are not sure of procedures, ask.
- Do not take shortcuts – use the access provided.
- Do not remove handrails or ladders from scaffolds unless instructed to do so and replace them as soon as possible.
- Play your part in keeping the site tidy and safe.
- Look out for hazard warning notices and obey them.
- Never attempt to operate machinery unless you have been trained and authorised to do so.
- Attempting to lift heavy objects or materials can cause injury – obtain assistance where necessary.
- Study your company's policy.
- Remember you have a legal duty to take reasonable care of your own health and safety and to avoid placing other people at risk. Such as those who work with you and members of the public.
- If in doubt about your job, ask your immediate supervisor for guidance.
- Your co-operation in discouraging children from entering the site will help to reduce the risk of accidents to them and others.
- Remember that entering an unsafe area could render you liable to prosecution. If it looks or feels unsafe, report it. If you are unsure, ask site supervision for advice.

Personal protective equipment

For your protection, always use the safety helmets, ear protectors, face masks, goggles, gloves, safety harnesses and other items of personal protective equipment appropriate to the tasks you are undertaking.

When protective clothing and/or equipment is issued to you:-

- Wear or use the equipment when required and when there is any possibility of personal injury in the course of your work.
- Look after the equipment.
- If the equipment is on personal issue, store it carefully and ensure that it is available for use when needed.
- Make sure that equipment is properly maintained.
- Replace defective equipment immediately.
- If you have any doubts about the correct use, adjustment or maintenance of the equipment, ask your supervisor.

Brief description

The NOEtop Panel system is a versatile modular large panel system that can sustain concrete pressures up to 88 kN/m².

Integrated strongbacks allow for an economic tie layout and, with the largest panel available, 14.05m² of joint free plywood can be achieved.

Panel frames are sturdy with cast iron corner blocks and the galvanised frame profiles increase the life span of the system.

Technical specification

Permissible Tie Loads

15mm Tie Bar = 90 kN
20mm Tie Bar = 160 kN

Working Deck Allowable Loads

Walkway Bracket = 1.5 kN/m²

Crane Hook Capacity

Vertical Lift = 20 kN per hook
Chains at 60 deg. = 15 kN per hook
Chains at 45 deg. = 12 kN per hook

Concrete Pressures

Concrete pressures are calculated in accordance with CIRIA Report 108

Wind Loading

Where applicable wind loads are calculated in accordance with BS5973 and BS5975(CP3 Chapter V Part 2)

Components

Panels – Galvanised steel frame with 21mm plywood form face. Frame cross stiffeners have grooves and multiholes for the fixing of accessories and safety equipment.

Uni-lock Clamps – One clamp for standard connections and infills up to 150mm. Clamps are also used on external and internal corners.

Muti-Claw – Unique clamp for tying over tops of panels, for fixing stop-ends and also used on external corners in conjunction with the external corner panels.

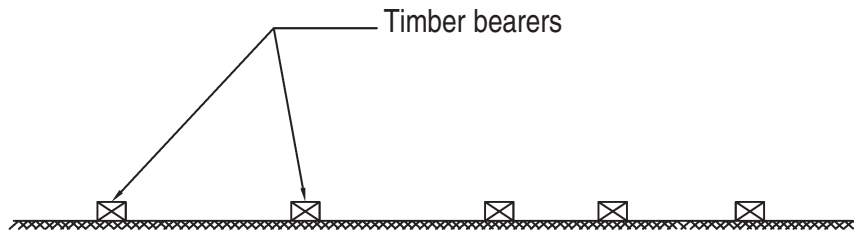
Alignment Channels – Used for stop-ends and stiffening horizontal joints during lifting operations.

Hammerhead Bolts – Used for fixing various accessories to the panel frame.

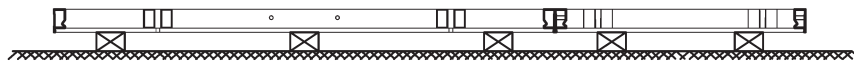
Access Brackets – Self locking walkway brackets that can be fixed to both vertical and horizontal profiles.

For details of panel sizes and additional components and accessories refer to the NOEtop Technical Sheets. These sheets also show stop-end details and frequency of fixings required.

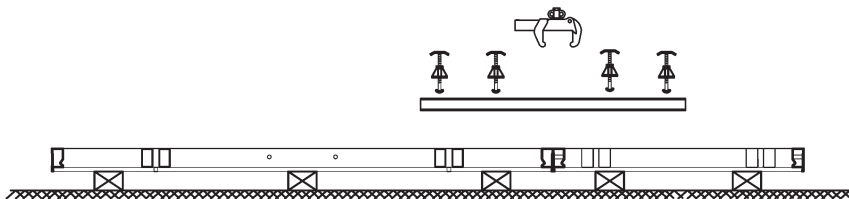
Standard erection procedure



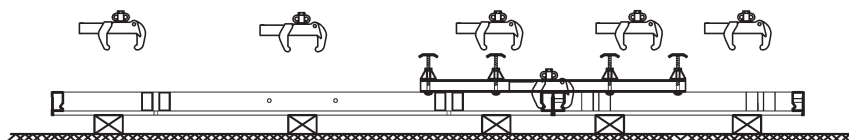
1. Prepare suitable level horizontal base.



2. Lay panels face down on base. Use crowbar or similar to align panels into position. Do not use hammer.

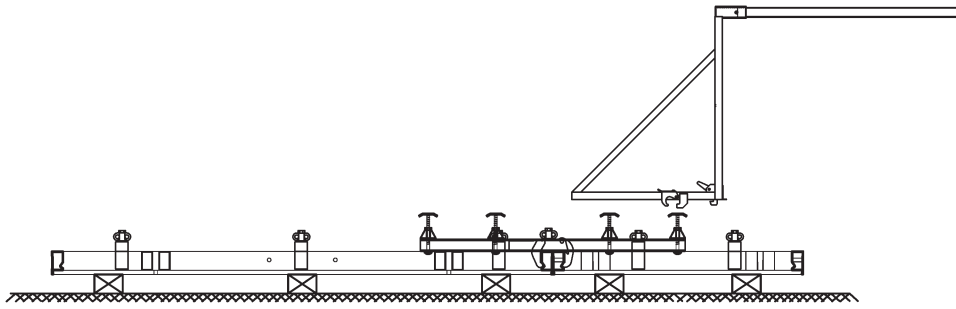


3. Connect horizontal panel joints by means of uni-lock clamps and 1400 alignment channels. Alignment channels are connected by means of 4 number hammerhead bolts. See NOEtop technical sheets pages 04-01 to 04-05 for frequency of use.

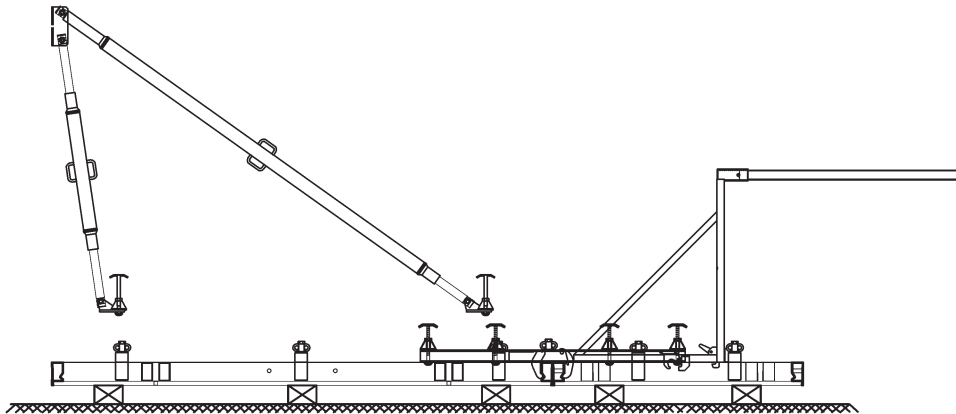


4. Connect vertical panel joints by means of uni-lock clamps. See NOEtop technical sheets pages 04-01 to 04-05 for frequency of use.

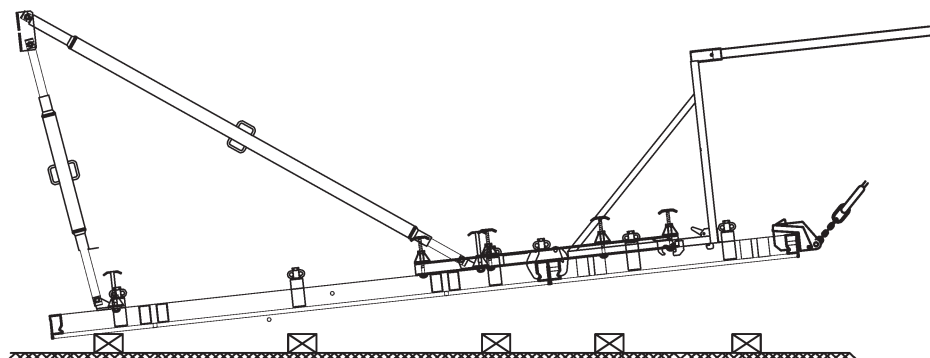
Standard erection procedure



5. If required fix access brackets + posts at 1.2m centres. Access brackets can be fixed to both vertical and horizontal stiffeners. See NOEtop technical sheets pages 06-01 to 06-03 for fixing details.

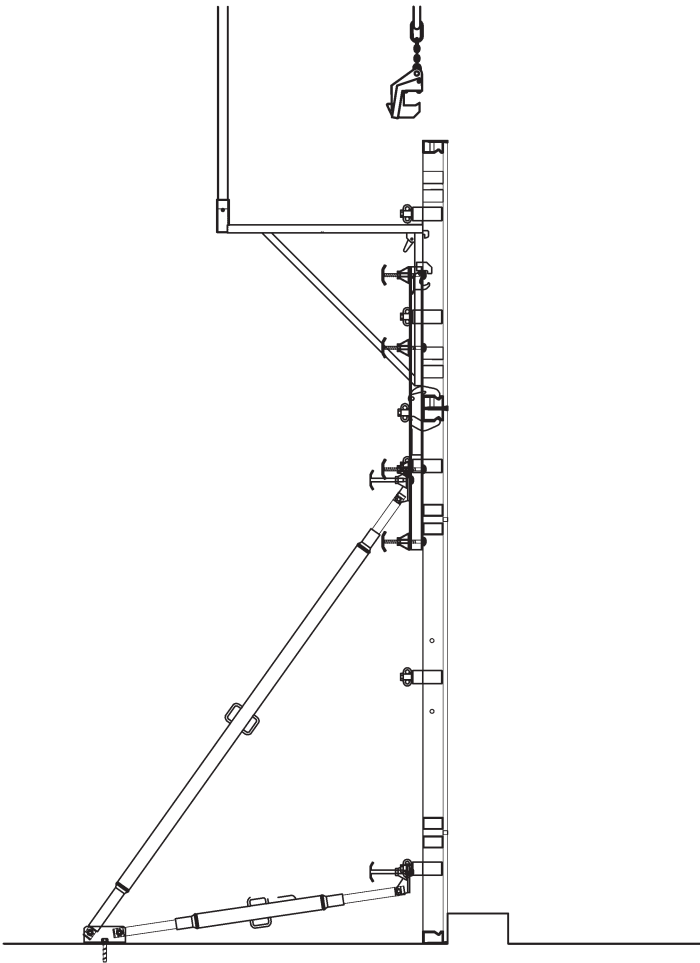


6. If required fix stabilising props to panel wallings with 2 number hammerhead bolts. See NOEtop technical sheets pages 06-01 to 06-03 for fixing details.

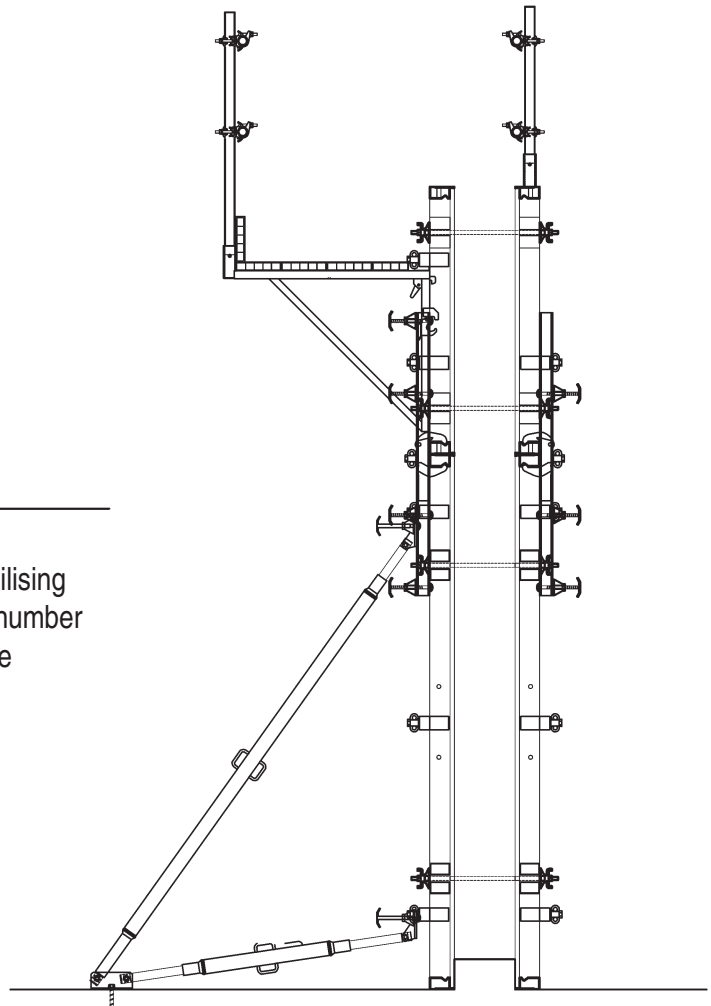


7. Once form has been completed it can be lifted into position by crane. Form weight to be checked against crane and lifting clamp capacity.

Standard erection procedure



8. When form is in the correct position, fix stabilising prop base plate to the concrete slab with 2 number 16mm diameter screw bolts or similar, before removing crane slings.



9. Offer up opposite form and link forms together with tie assemblies. Fix handrails and scaffold boards from suitable access tower/platform. Forms are now plumbed and ready for pouring. Depending on level of access bracket an additional handrail may be required on opposite form.

Checklist before pouring

- Ensure all fixings are secure.
- Ensure system has been erected in accordance with the design drawing.
- Ensure access brackets are spaced in accordance with the permissible board span.
- Ensure correct diameter ties are used.
- Ensure ties are not over tightened.
- Ensure system is plumb.
- Ensure the form is stabilised against overturning from either wind forces or horizontal loading due to construction loads.
- Ensure maximum pour rate/pressure is not exceeded.
- Ensure form weight does not exceed lifting clamp/crane capacity.

Standard striking procedure

- Before striking formwork introduce exclusion zone around area of work.
- Strike forms in reverse of erection procedure.
- Ensure form is suitably stabilized by push pull props or fixed to crane hooks before removing tie equipment.
- Lift form to next pour position or lay horizontally on suitable bearers as shown in erection procedure.

ISCHEBECK

TITAN



Ischebeck Titan Group

Founded in Germany over 120 years ago Ischebeck is renowned internationally for its aluminium formwork and false work systems, trench support systems and ground engineering products.

Ischebeck Titan Ltd

The company operates from headquarters centrally located in the heart of the UK.



Product Availability

Substantial stocks of equipment are available ex-stock from the company's strategically located 4-acre distribution site, with most main product lines available nationwide on a 48-hour delivery. Products are available for both hire and outright purchase.

Technical Support

We will participate in concept stage development. Providing input on applications, production rates, budget design, programming and costings. Active for on site support and training. We can provide guidance on industry special European and national standards.



HEAD OFFICE

John Dean House
Wellington Road
Burton upon Trent
Staffordshire DE14 2TG
Tel: 01283 515677 Fax: 01283 516126
www.ischebeck-titan.co.uk
E-mail: sales@ischebeck-titan.co.uk

NORTHERN REGIONAL OFFICE & DESIGN OFFICE

Hollinwood Business Centre
Albert Mills Albert Street
Hollinwood Oldham OL8 3QP
Tel: 0161 682 4732 Fax: 0161 684 3603
E-mail: technical@ischebeck-titan.co.uk

Since our policy is one of continuous improvement we reserve the right to change without prior notice the specifications and methods of construction mentioned in this document. No responsibility whatsoever can be accepted for any errors or omissions in, or misinterpretation of the contents. Products must be used in conformity with safe practices and applicable codes and regulations. Photos and details shown are for general guidance only and may vary according to circumstances. For specific information refer to Ischebeck Titan Limited. Copyright reserved.